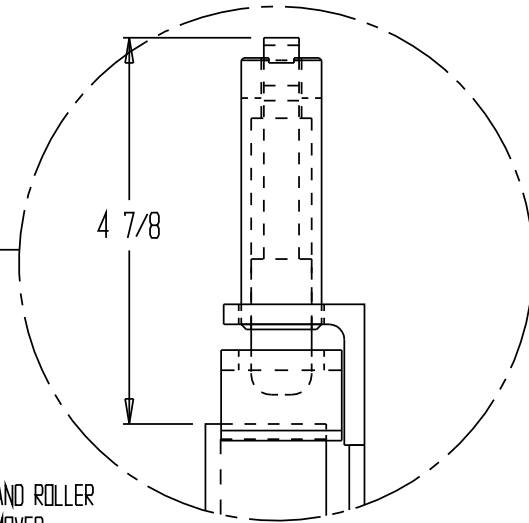
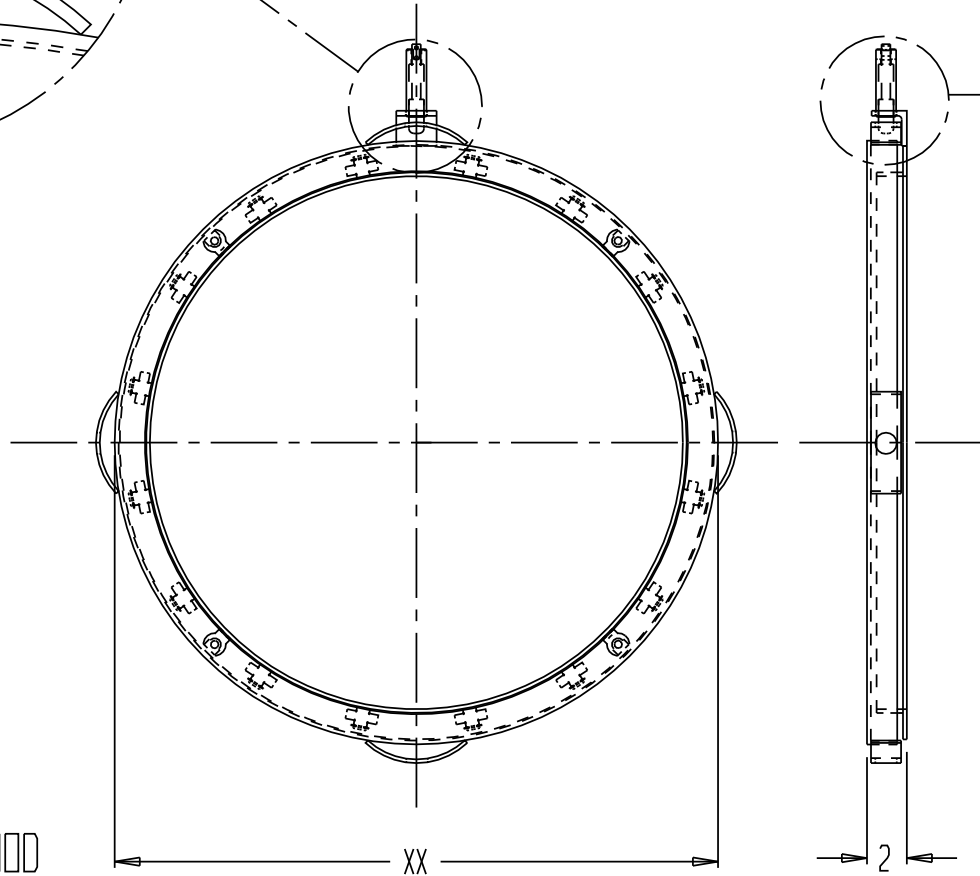
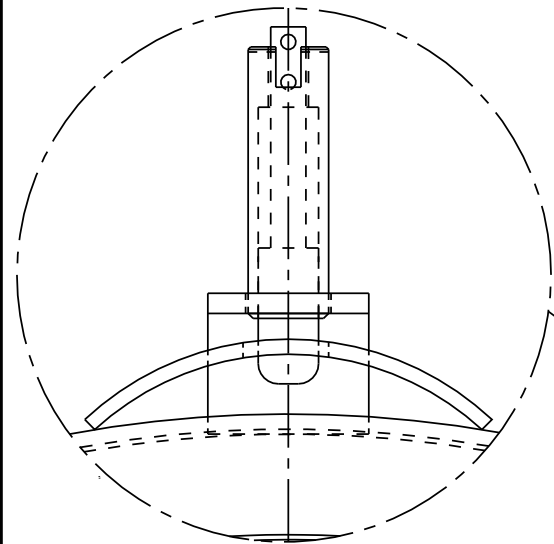


MANUAL CAROUSEL CA-HOD

CAROUSEL OPTIONS:

* BRAKES / DETENTS		
HAND DETENT	FOOT DETENT	HAND BRAKE
* TOP PLATE		
XX" ROUND	XX" x XX" SQUARE	
CHECKER PLATE	SMOOTH PLATE	
*ELEVATED BASE	12" HT.	24" HT.



NOTE: PINS AND ROLLER BEARINGS REMOVED FOR CLARITY.

STANDARD FEATURES

MODEL NUMBER: CA-HOD

LEVEL HEIGHT: 2"

PRODUCTION WILL START UPON RECEIPT OF SIGNED APPROVAL DRAWING

**SPECIAL UNITS ARE NON-RETURNABLE
*AVAILABLE AT ADDITIONAL COSTS

APPROVAL

I, the undersigned, hereby approve this print
 As drawn As marked

This includes my approval of design & dimensions.

Signed: _____

Date: _____

DISTRIBUTOR'S NAME:		P.O.#: _
T & S EQUIPMENT		W.O.#: _
DRAWN BY: _	DATE: _	SALES: _
REFERENCE:		DRWG./FILE NAME:
-		scale: NTS 20-007-035